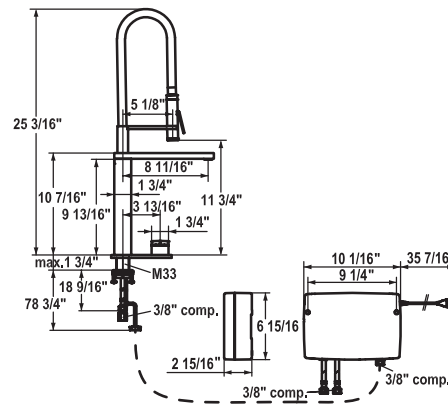


# KWC ONO touch light PRO



KWC-No.	Finish
<b>10.651.122.000</b>	chrome

A 8 1/16", flexible connection hoses, plug power supply

## Kitchen with LED-technology

- Electronic controlled
  - touch light PRO technology
- touch'n'flow 1-2-3
- 3 preset temperatures and flow rates
- Microprocessor-control
  - touch'n'flow 1: cold water, flow rate can be individually adjusted and saved
  - touch'n'flow 2: warm water, flow rate can be individually adjusted and saved
  - touch'n'flow 3: hot water, flow rate can be individually adjusted and saved
  - with cleaning program
  - temperature limit can be adjusted
  - hot water disinfection (5 minutes) can be adjusted
  - can be restored to factory settings
  - safety information: if waterflow is not switched off manually, automatic switch-off occurs after 10 minutes
- Swivel spout 360°
  - Neoperl® Caché®
- touch light PRO control unit, maintenance-free
  - up-to-date microprocessor and drive technology
  - tried-and-tested valve technology
  - incl. installation materials
  - designed for wired connection to 1 operating unit (standard), wireless connection to 1 operating unit (optional)
- Flexible connection hoses 3/8" compression
- Mounting hole size ø1 3/8"
- Delivery includes:
  - Plug power supply 100-240 V / operating voltage 15 V / cable length 35 7/16"
  - Control unit and wired operating unit / cable length 78 3/4"
- To be ordered separately (optional or if necessary):
  - Extension set 1500 mm Z.536.352, comprising: stainless steel hose 1500 mm, 3/8" x 3/8", double nipple, sealing material
  - KWC ONO touch light PRO wireless operating unit Z.536.351.000
- for comprehensive information on planning, installation and

operation get in touch with your KWC contact person.

Flow rate needle spray max 1.5 gpm (60 psi)  
 Flow rate max 1.75 gpm (60 psi)